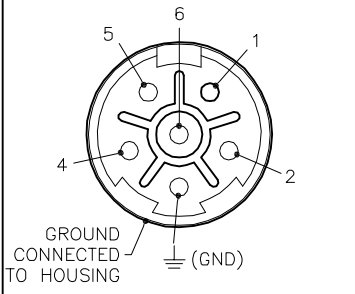
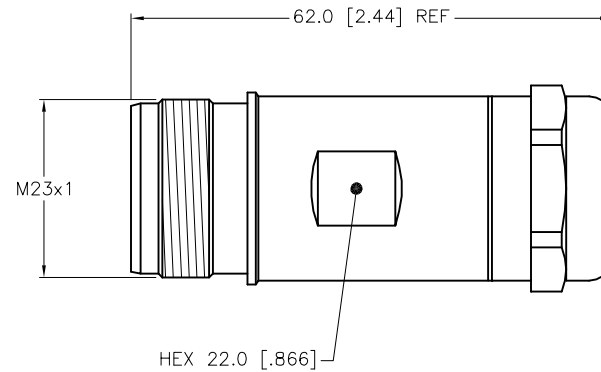
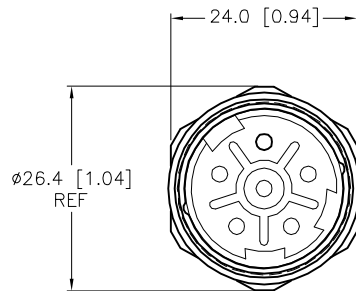


MALE END VIEW



SPECIFICATIONS

CONTACT CARRIER MATERIAL	NYLON
CONTACT MATERIAL/PLATING	BRASS/GOLD
HOUSING MATERIAL/PLATING	BRASS/NICKEL
RATED CURRENT [A]	24 A
RATED VOLTAGE [V]	600 V
CONDUCTOR SIZE [AWG]	12-14 AWG
CABLE OUTSIDE DIAMETER	11-17mm [0.43-0.67"]
TEMPERATURE RANGE	-40°C to +90°C (-40°F to +194°F)
PROTECTION CLASS	IEC IP67



CAUTION:
 RISK OF ELECTRICAL SHOCK
 DO NOT DISCONNECT UNDER LOAD

SOURCE DRAWING - FOR REFERENCE ONLY

NOTES:

1. THIS IS A FIELD WIREABLE CONNECTOR. ASSEMBLY REQUIRED BY END USER.

RELATED DOCUMENTS		3RD ANGLE PROJECTION		THIS DRAWING IS CONFIDENTIAL AND THE PROPERTY OF TURCK INC. USE OF THIS DOCUMENT WITHOUT WRITTEN PERMISSION IS PROHIBITED.		3000 CAMPUS DRIVE MINNEAPOLIS, MN 55441 1-800-544-7769 (763) 553-7300 (763) 553-0708 fax www.turck.us	
1. 2. 3. 4.				DRFT RWC DATE 01/27/06 APVD SCALE 1=1.0		TURCK DESCRIPTION CSS 62-0	
MATERIAL SEE SPECIFICATIONS		ALL DIMENSIONS DISPLAYED ON THIS DRAWING ARE FOR REFERENCE ONLY		UNIT OF MEASUREMENT MILLIMETER [INCH]		IDENTIFICATION NO. U2-04274	
FINISH SEE SPECIFICATIONS		CONTACT TURCK FOR MORE INFORMATION		DO NOT SCALE THIS DRAWING		REV D	
D ADD NOTE		TR 12/06/19		75472		FILE: U2-04274	
REV DESCRIPTION		BY DATE		ECO NO.		SHEET 1 OF 1	